

NRGYPLC1000

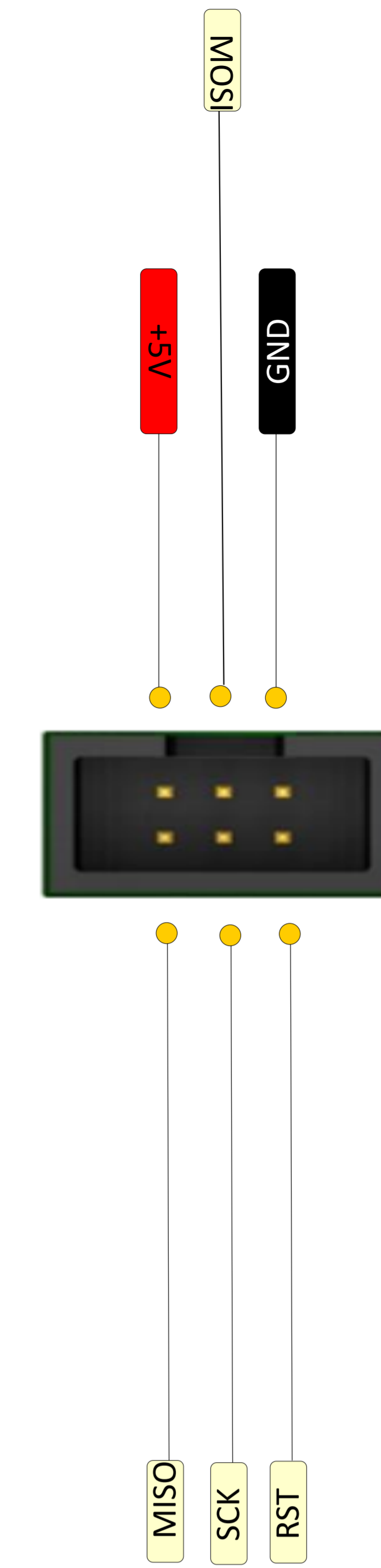
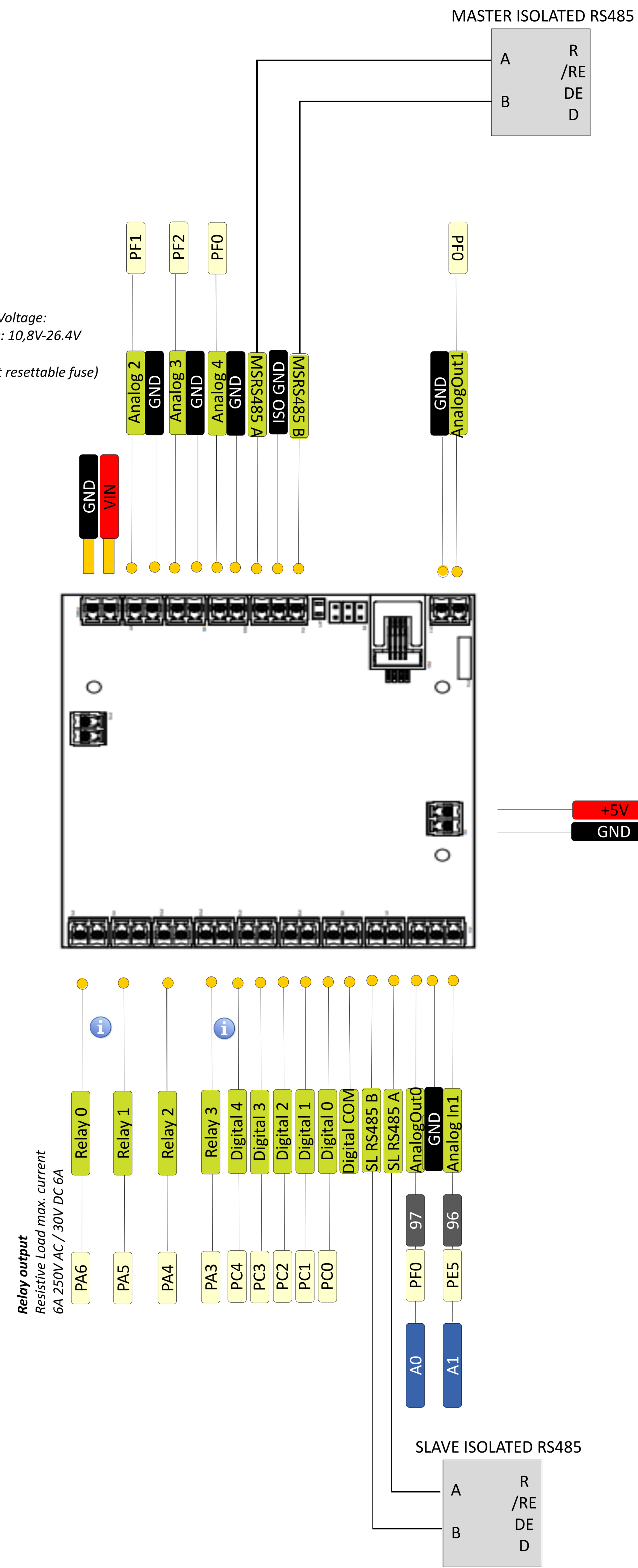
PINOUT V1.1

| |
|--------------|
| GND |
| POWER |
| Function |
| PHYSICAL PIN |
| PORT PIN |
| Board |

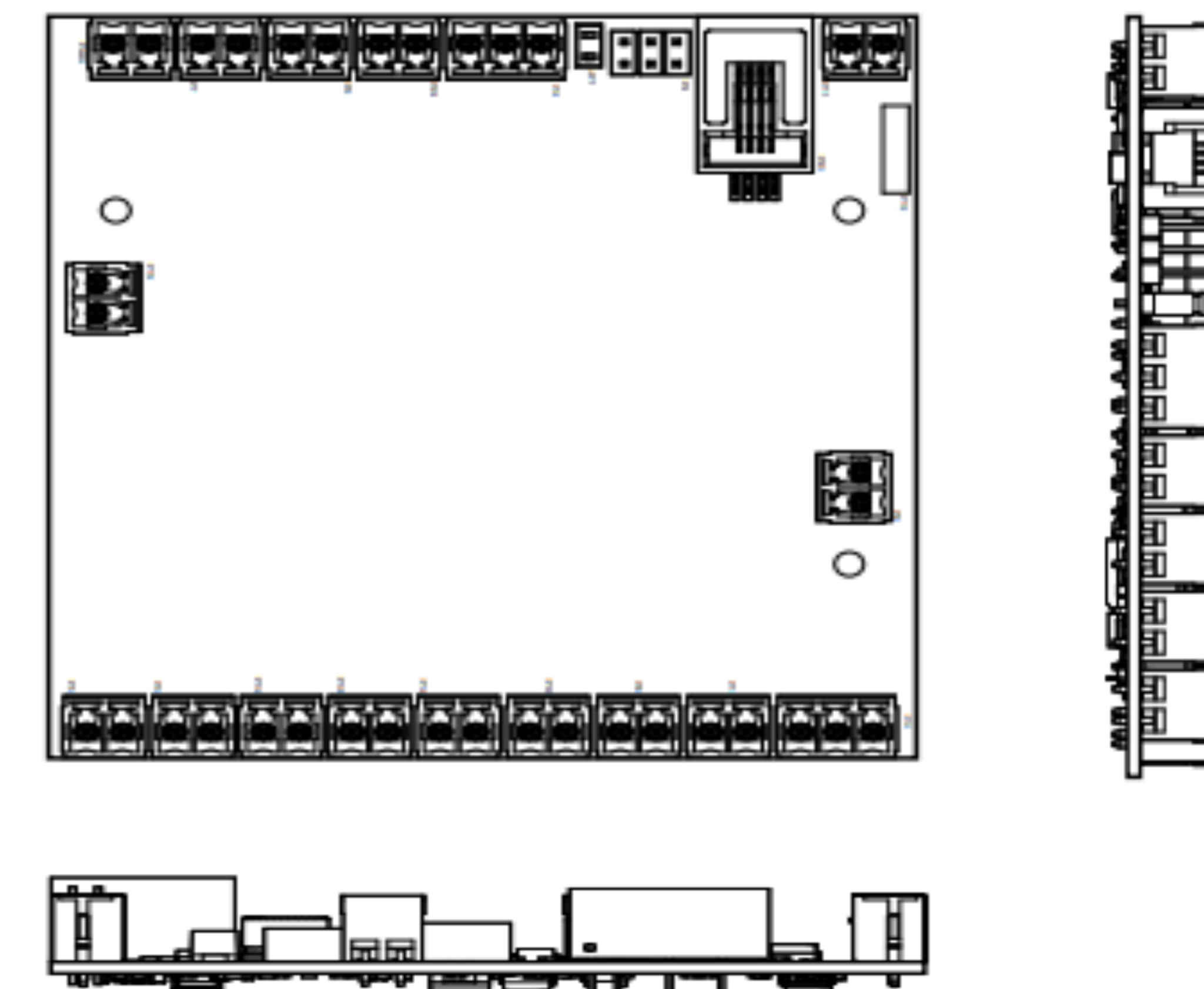
i General Information
 ⚠ Pay attention

CHIP used ATmega 64-16AU

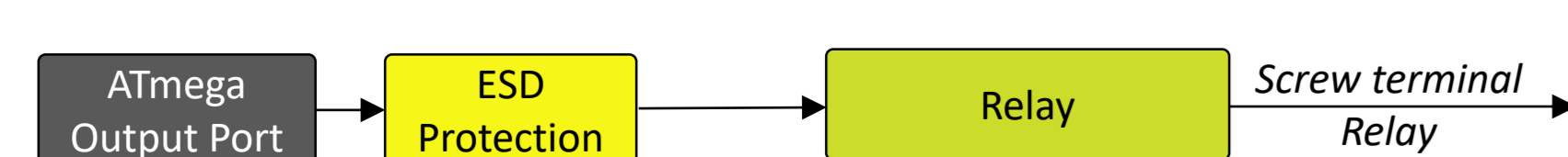
i Operational Voltage:
 12Vdc/24Vdc: 10,8V-26.4V
 ⚠ Max. 3A
 (Fused by not resettable fuse)



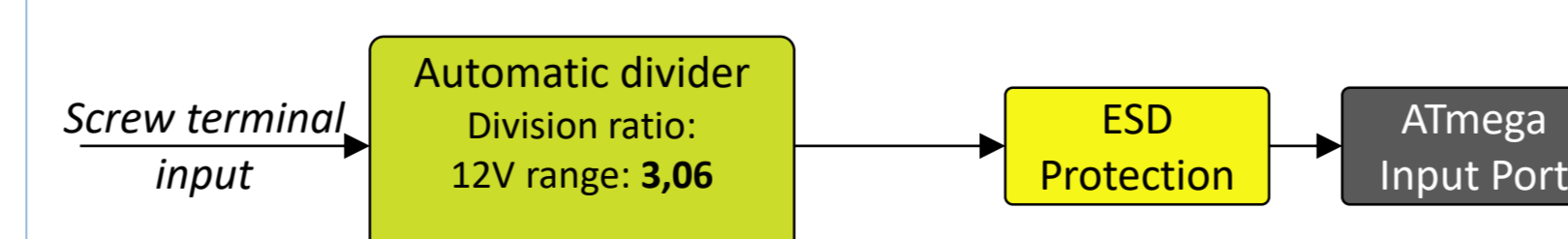
OPTIONAL ETH MODULE CON



Relay OUTPUT:



Analog/Digital INPUT:



⚠ **Pin Header current limit:**
Absolute max per pin 40mA
recommended 20mA
Absolute max 200mA
for entire Pin Header
 Current limit @5V + 3V3 max
 200mA (Fused by resettable fuse)
 Current limit @3V3 only 150mA

Digital OUTPUT: Attention to current limit ⚠

